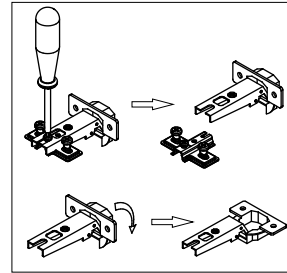
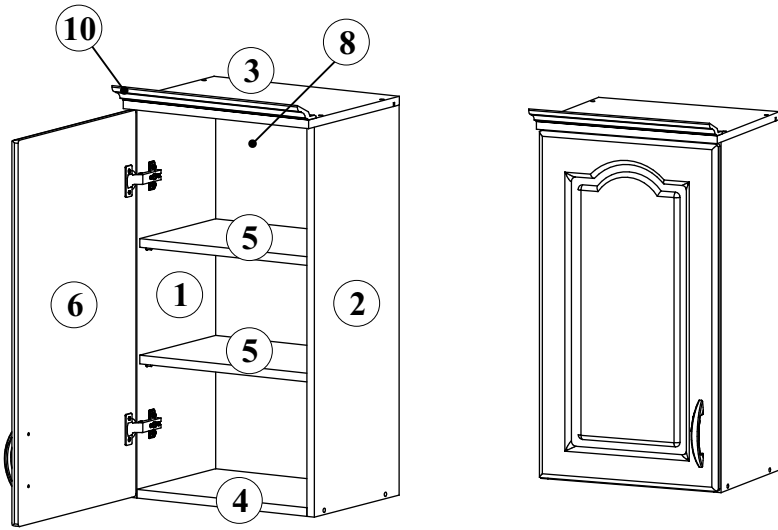
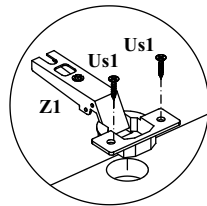
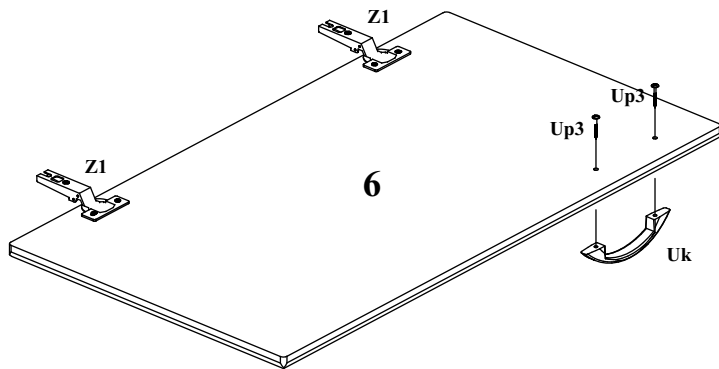


W40

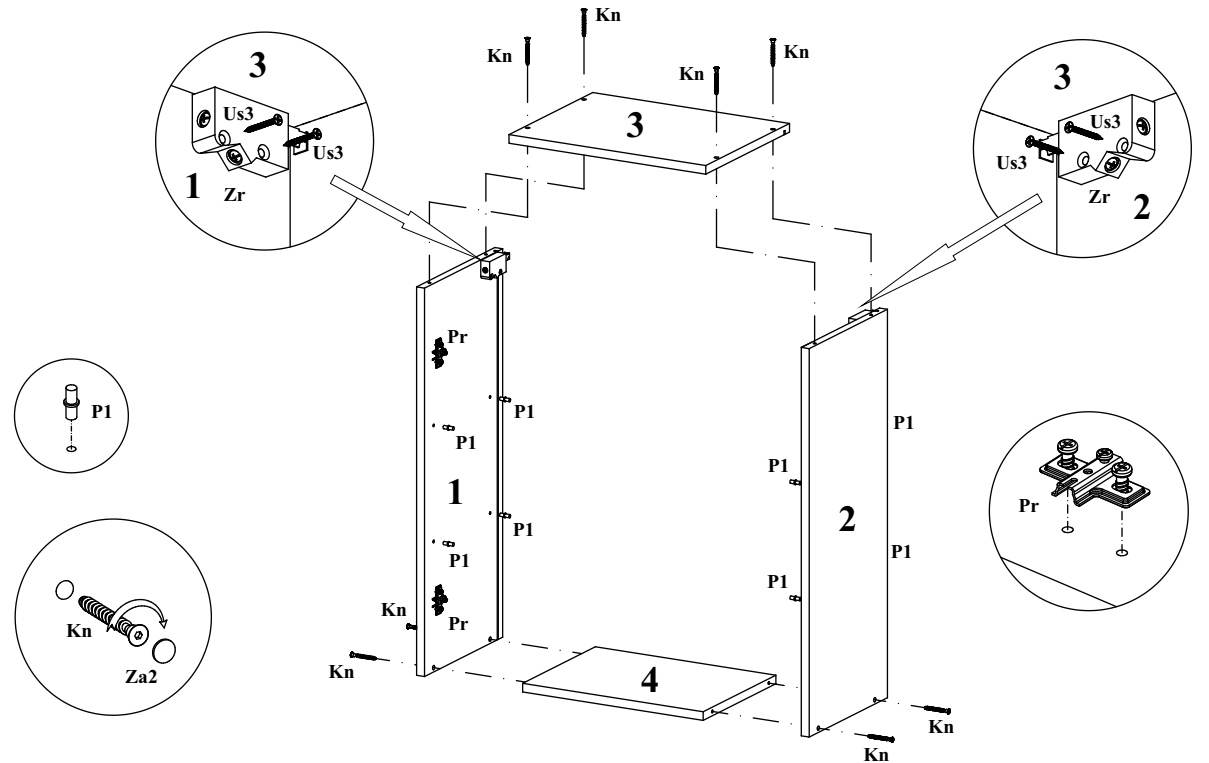


Pr X2	Z1 X2	P1 X8	St X7
Kl X1	Up3 X2 Up3,5x25	Us1 X4 Us3,5x16	Uk X1
Kn X8	Za2 X8	Up4 X2 Up3,5x20	Gw X3
	Zr X2	Us3 X4 Us3x30	

1



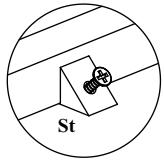
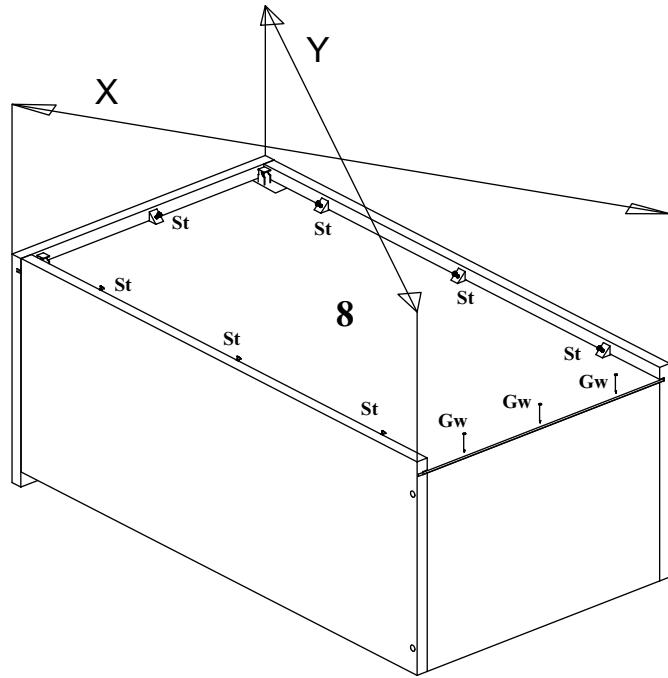
2



3

W40

X = Y



4

